

# Product data sheet

## Characteristics

# XY2CEDA290

Dual emergency stop rope pull switch,  
Telemecanique rope pull switches XY2C, e  
2x(1NC+1NO), Pg13.5, boot. pb



Product availability: Non-Stock - Not normally stocked in distribution facility

Price\*: 423.00 USD



### Main

|                           |  |
|---------------------------|--|
| Range of product          | Telemecanique Emergency stop rope pull switches XY2C |
| Product or Component Type | Dual emergency stop rope pull switch                 |
| Device short name         | XY2CED   |

### Complementary

|  |                                     |
|--|-------------------------------------|
| Number of cables                             | 2                                   |
| Bellow material                              | Nitril                              |
| Body Material                                | Zamak                               |
| Cover Material                               | Stainless steel                     |
| Reset  | By booted push-button               |
| Contacts type and composition                | 2 x (1 NC + 1 NO)                   |
| Contact operation                            | Slow-break                          |
| Trigger cable anchor point                   | RH and LH sides                     |
| Tightening torque                            | 7.08...10.62 Lbf.In (0.8...1.2 N.m) |
| Marking                                      | CE                                  |
| Mechanical durability                        | 60000 Cycles                        |
| Distance between cable supports              | 9.84...16.40 Ft (3...5 m)           |
| [Ithe] conventional enclosed thermal current | 10 A                                |
| Terminals description ISO n°1                | (13-14)NO<br>(21-22)NC              |
| Product Weight                               | 4.19 Lb(US) (1.9 kg)                |
| Compatibility code                           | XY2CED                              |

## Environment

|                                       |   |
|---------------------------------------|---|
| Standards                             | EN/ISO 13850<br>EN/IEC 60947-5-1<br>Work equipment directive 2009/104/EC<br>UL 508<br>Machinery directive 2006/42/EC<br>EN/IEC 60947-5-5<br>CSA C22.2 No 14<br>EN/IEC 60204-1 |
| Protective treatment                  | TC  |
| Ambient Air Temperature for Operation | -13...158 °F (-25...70 °C)  |
| Ambient Air Temperature for Storage   | -40...158 °F (-40...70 °C)  |

## Ordering and shipping details

|                       |                                   |
|-----------------------|-----------------------------------|
| Category              | 22441 - LIMIT SWITCHES,CABLE PULL |
| Discount Schedule     | T                                 |
| GTIN                  | 3606480879999                     |
| Nbr. of units in pkg. | 1                                 |
| Package weight(Lbs)   | 4.34 Lb(US) (1.97 kg)             |
| Returnability         | No                                |
| Country of origin     | MA                                |

## Packing Units

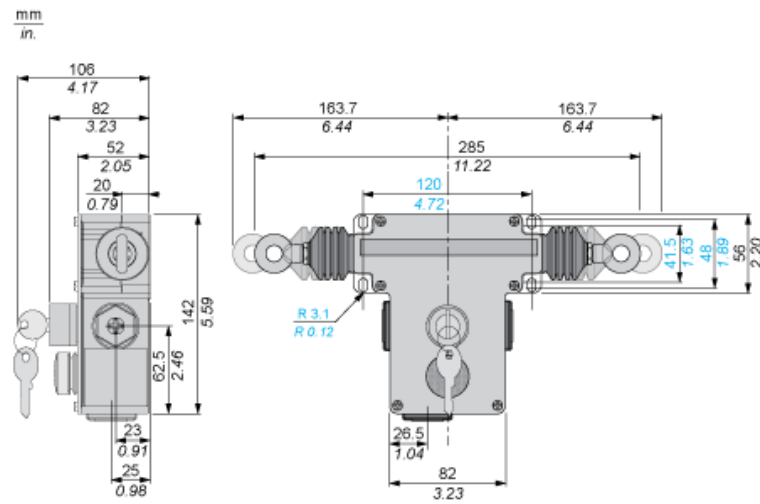
|                              |                         |
|------------------------------|-------------------------|
| Unit Type of Package 1       | PCE                     |
| Package 1 Height             | 4.17 In (10.6 cm)       |
| Package 1 width              | 12.13 In (30.8 cm)      |
| Package 1 Length             | 6.30 In (16 cm)         |
| Unit Type of Package 2       | S03                     |
| Number of Units in Package 2 | 4                       |
| Package 2 Weight             | 18.23 Lb(US) (8.267 kg) |
| Package 2 Height             | 11.81 In (30 cm)        |
| Package 2 width              | 11.81 In (30 cm)        |
| Package 2 Length             | 15.75 In (40 cm)        |
| Package 3 Height             | 30.31 In (77 cm)        |

## Offer Sustainability

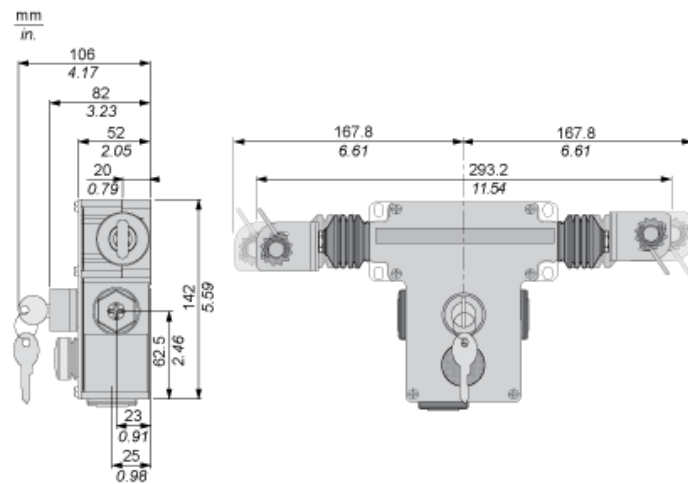
|                            |   |
|----------------------------|---|
| Sustainable offer status   | Green Premium product   |
| California proposition 65  | WARNING: This product can expose you to chemicals including: Diisononyl phthalate (DINP), which is known to the State of California to cause cancer, and Di-isodecyl phthalate (DIDP), which is known to the State of California to cause birth defects or other reproductive harm. For more information go to <a href="http://www.P65Warnings.ca.gov">www.P65Warnings.ca.gov</a> |
| REACH Regulation           | <a href="#">REACH Declaration</a>   |
| EU RoHS Directive          | Pro-active compliance (Product out of EU RoHS legal scope) <a href="#">EU RoHS Declaration</a>  |
| Mercury free               | Yes   |
| RoHS exemption information | <a href="#">Yes</a>   |
| Environmental Disclosure   | <a href="#">Product Environmental Profile</a>   |

Dimensions

Without Tensioner



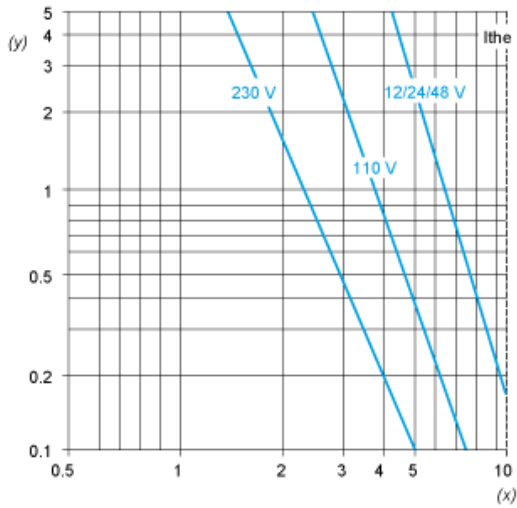
With Tensioners



Electrical Curves

AC Supply 50/60 Hz.  $\sim$  Inductive Circuit

2-pole Contact Block



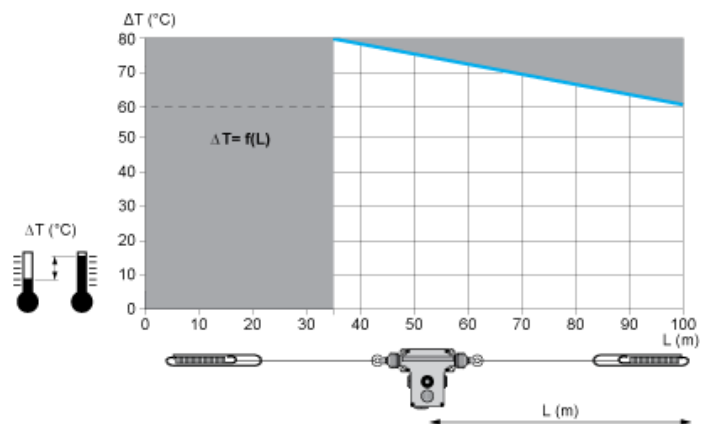
(y) Millions of operating cycles  
(x) Current in A

DC Supply. Power Broken in W for 1 Million Operating Cycles.  $\sim$  Inductive Circuit

|         |   |    |    |     |
|---------|---|----|----|-----|
| Voltage | V | 24 | 48 | 120 |
| $\sim$  | W | 13 | 9  | 7   |

Mounting and Clearance

Adjustment Values (With End Spring)



In grey prohibited zone

Product Life Status : **Commercialised**